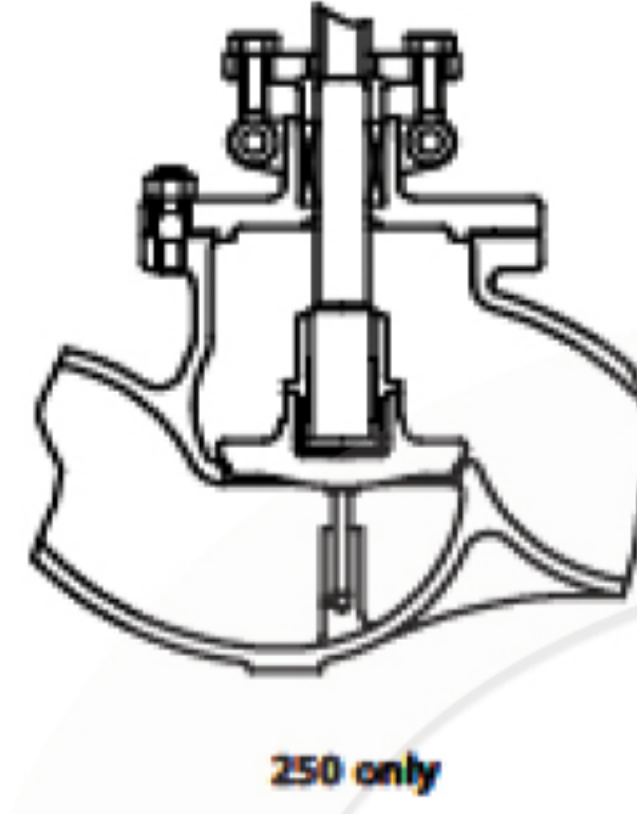
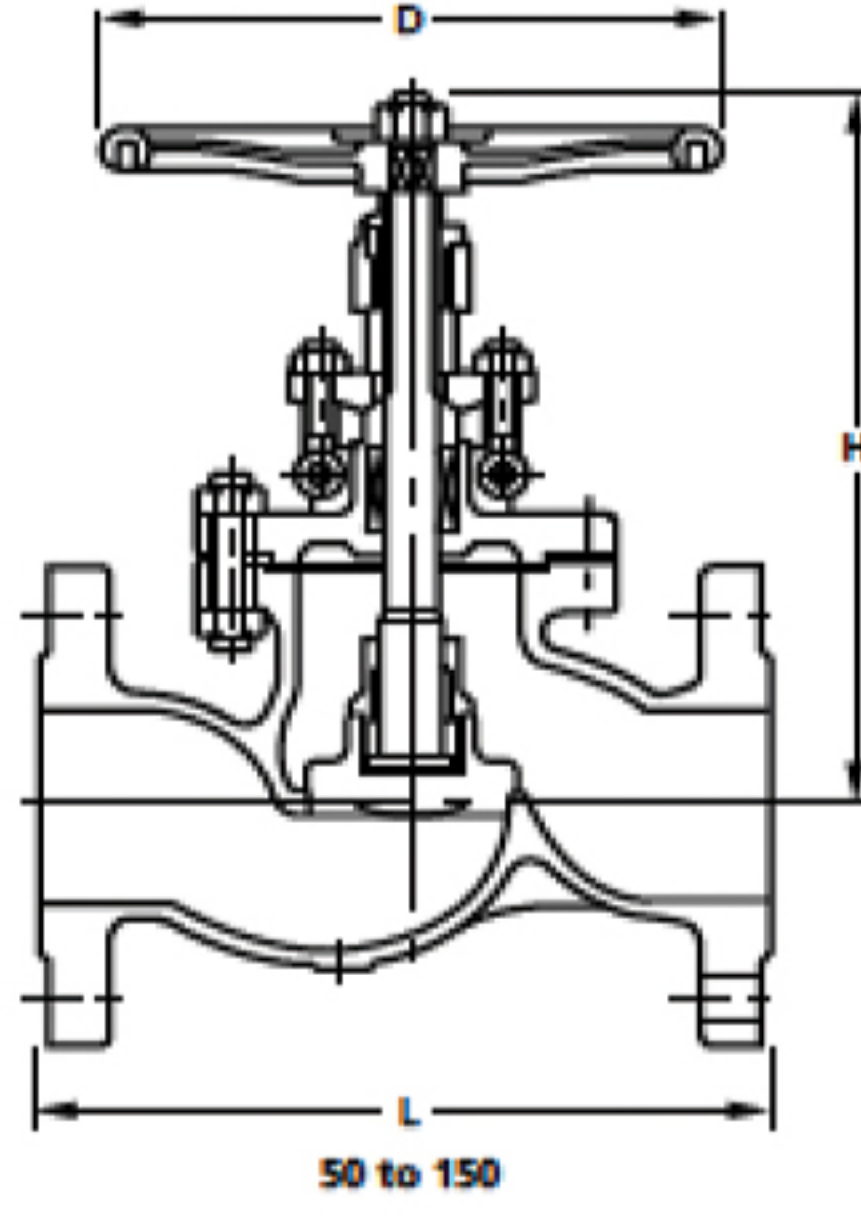
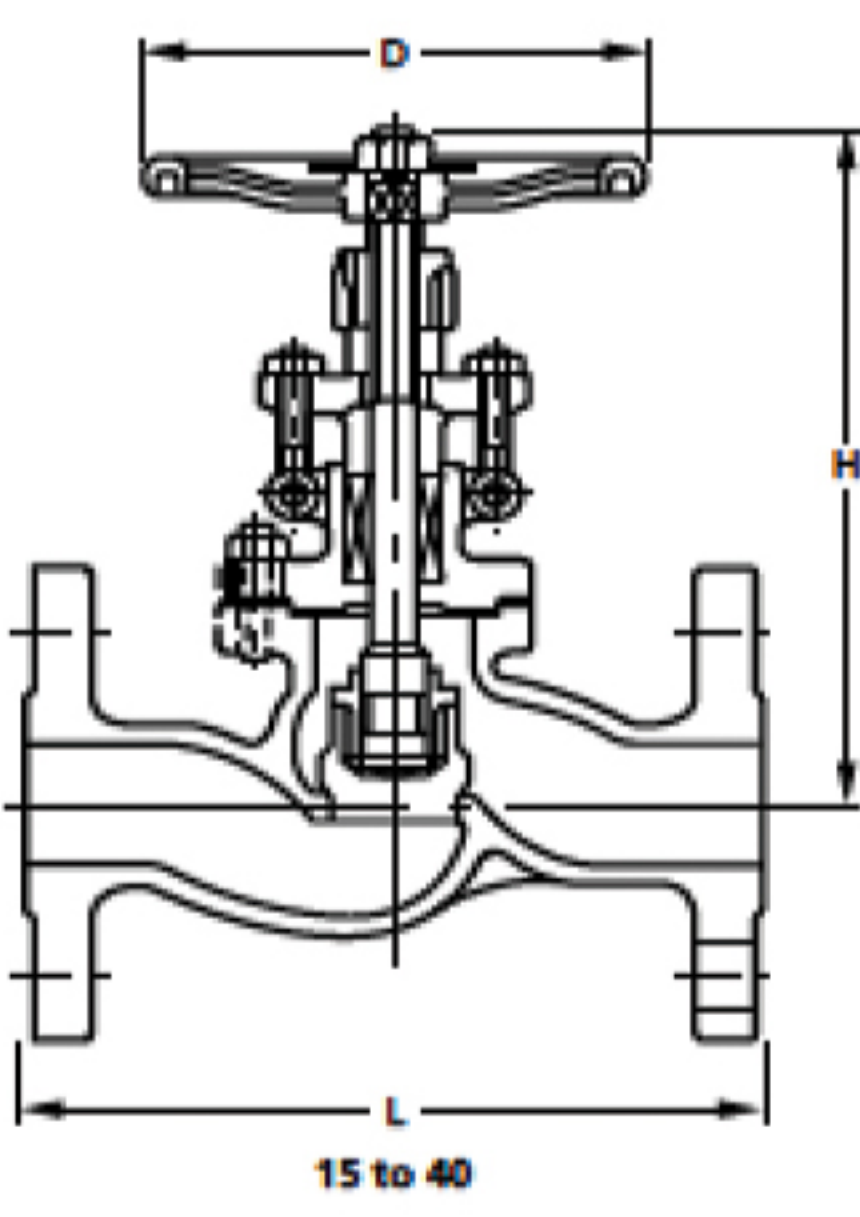
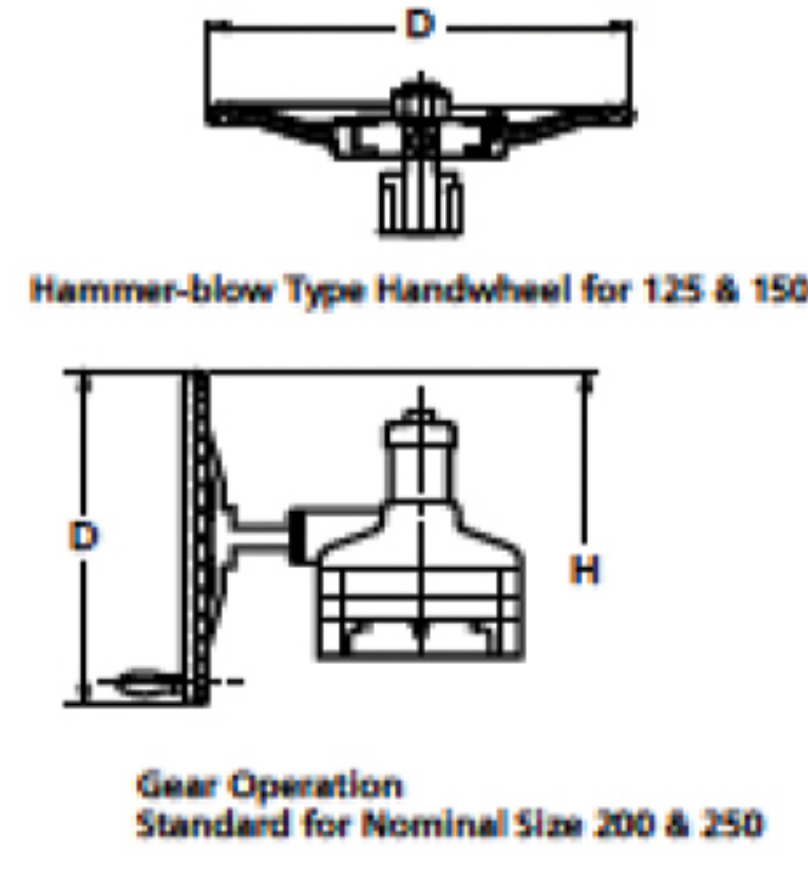


20K

GLOBE VALVE

Pressure-Temperature Rating: JIS B2220

20UPAM



Materials

Parts	20UPA	20UPAM
Body	SCS13A	SCS14A
Bonnet	SCS13A	SCS14A
Stem	SUS304	SUS316
Disc	1/2 to 1 1/2 2 to 10	SUS304 SCS13A
Gland	SUS304	SUS316
Gland flange	SCS13A	
Gland packing	Refer to Page 10	
Gasket	Refer to Page 10	
Yoke bush	Ductile Ni-resist	
Handwheel	FCD400-15	
Gland bolt/nut	SUS304/304	
Gland bolt pin	SUS403	
Bonnet bolt/nut	SUS304/304	
Name plate	A1050P	

Note: Body seats and/or disc seats can be optionally hard-faced.
Hammer-blow type handwheel for size 125 and 150

Items	
Face to face dimensions	ASME B16.10 Class 300
End flange dimensions	JIS B2220 20K
Wall thickness	ASME B16.34 Class 300

Nominal Size		1/2	3/4	1	1 1/2	2	2 1/2	3	4	5	6	8	10
			15	20	25	40	50	65	80	100	125	150	200
L	in.	5.98	7.01	7.99	9.02	10.5	11.5	12.5	14.0	15.8	17.5	22.0	24.5
	mm	152	178	203	229	267	292	318	356	400	444	559	622
H (open)	in.	7.24	7.17	7.28	9.21	11.3	11.6	13.4	15.6	19.4	22.2	34.4	41.3
	mm	184	182	185	234	286	295	341	396	492	563	874	1048
D	in.	3.94	3.94	3.94	6.30	7.09	7.87	9.84	11.8	13.8	15.8	19.7	23.6
	mm	100	100	100	160	180	200	250	300	350	400	500	600